



*Patented!
Rotating
hand chain
guide!*

Image shows
MEDIUM design

Hand chain hoist model Yalelift 360 ATEX

Capacity 500 - 20000 kg

The hand chain hoist model Yalelift 360 ATEX once again proves its worth in an environment that far exceeds the requirements of a classical hand chain hoist. On the basis of the European Directive 2014/34/EU this model series has been further developed for the use in potentially explosive atmospheres (ATEX zones).

Features

- The enclosed robust stamped steel housing protects all internal components even in the toughest conditions.
- The extremely low headroom allows maximum use of the lifting height.
- The revolutionary 360° rotating hand chain guide allows the operator to work from virtually any position, in confined spaces or above the load. The Yalelift can even be operated from the side of the load which also makes it possible to use the hoist for horizontal pulling or tensioning. Due to the additional flexibility, the operator is no longer forced to work in the danger zone near the load.
- The brake system is extremely quiet and guarantees operational safety and improved serviceability due to omission of the vulnerable ratchet pawls. All parts are made of high quality materials, additionally zinc-plated or yellow-chromated to increase corrosion prevention.
- Chain guide and gearbox are almost totally enclosed. Even under the toughest conditions the internal gearbox remains protected.
- The hardened load sheave with four precision machined pockets ensures accurate movement of the load chain.
- The surface protected zinc-plated alloy steel load chains fulfil all requirements of current national and international standards and regulations. They are matched perfectly to the load chain sheave and guarantee smooth and precise chain motion.
- Drop forged load and suspension hooks that yield under overload instead of breaking, are made of high tensile steel. The hooks are fitted with robust safety latches and rotate 360°.
- Explosion protected version with spark resistant coating.
- Copper-coated suspension and load hooks for MEDIUM design or higher.
- Stainless steel load chain for HIGH design.

Options

- Adjustable overload protection device
- Chain container

INFO

Easy modification from Yalelift 360 ATEX to Yalelift IT ATEX is possible.

Technical data model Yalelift 360 ATEX BASIC II 3 GD c IIB T4 / II 2 GD c IIA T4

Model	EAN-No. 4025092*	Capacity in kg/ number of chain falls	Chain dimensions d x p mm	Load chain grade	Lift per 1 m hand chain overhaul mm	Handle pull at WLL daN	Weight at standard lift (3 m) kg
YL ATEX 500	*194969	500/1	5x15	T	33	21	9
YL ATEX 1000	*198196	1000/1	6x18	T	20	30	13
YL ATEX 2000	*199872	2000/1	8x24	T	14	32	20
YL ATEX 3000	*210522	3000/1	10x30	T	12	38	29
YL ATEX 5000	*218672	5000/2	10x30	T	6	34	38
YL ATEX 10000	*224611	10000/3	10x30	V	4	44	71
YL ATEX 20000	*225625	20000/6	10x30	V	2	2x44	196

Technical data model Yalelift 360 ATEX MEDIUM II 2 GD c IIB T4

Model	EAN-No. 4025092*	Capacity in kg/ number of chain falls	Chain dimensions d x p mm	Load chain grade	Lift per 1 m hand chain overhaul mm	Handle pull at WLL daN	Weight at standard lift (3 m) kg
YL ATEX 500	*206365	500/1	5x15	T	33	21	9
YL ATEX 1000	*206419	1000/1	6x18	T	20	30	13
YL ATEX 2000	*206426	2000/1	8x24	T	14	32	20
YL ATEX 3000	*206440	3000/1	10x30	T	12	38	29
YL ATEX 5000	*206464	5000/2	10x30	T	6	34	38
YL ATEX 10000	*239547	10000/3	10x30	V	4	44	71
YL ATEX 20000	*251846	20000/6	10x30	V	2	2x44	196

Technical data model Yalelift 360 ATEX HIGH II 2 GD c IIC T4

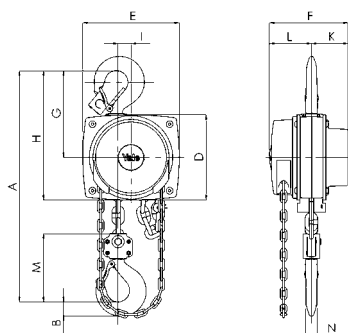
Model	EAN-No. 4025092*	Capacity ³ in kg/ number of chain falls	Chain dimensions d x p mm	Load chain grade	Lift per 1 m hand chain overhaul mm	Handle pull at WLL daN	Weight at standard lift (3 m) kg
YL ATEX 500	*929806	500/1	5x15	S	33	21	9
YL ATEX 1000	*929790	900/1	6x18	S	20	30	13
YL ATEX 2000	*929783	1250/1	8x24	P	14	32	20
YL ATEX 3000	*929776	2000/1	10x30	P	12	38	29
YL ATEX 5000	*929769	4000/2	10x30	P	6	34	38
YL ATEX 10000	*929752	6000/3	10x30	P	4	44	71
YL ATEX 20000	*929745	12000/6	10x30	P	2	2x44	196

³ Models in HIGH design are already labelled with reduced capacities when delivered.

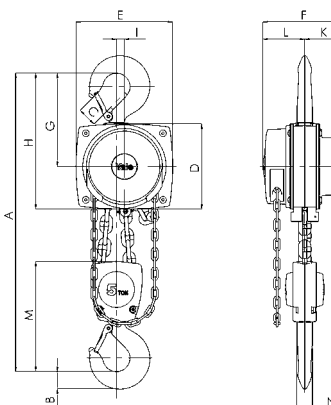


Dimensions model Yalelift 360 ATEX

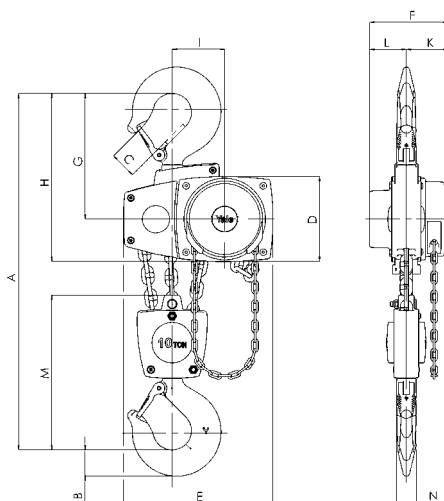
Model	YL 500	YL 1000	YL 2000	YL 3000	YL 5000	YL 10000	YL 20000
A min., mm	300	335	395	520	654	825	1010
B, mm	17	22	30	38	45	68	85
C, mm	24	29	35	40	47	68	64
D, mm	133	156	182	220	220	220	303
E, mm	148	175	203	250	250	383	555
F, mm	148	167	194	219	219	219	250
G, mm	139	164	192	225	242	326	391
H, mm	206	242	283	335	352	436	501
I, mm	24	24	31	34	21	136	-
K, mm	61	70	83	95	95	95	396
L, mm	87	97	111	124	124	124	125
M, mm	110	125	156	178	285	401	471
N, mm	14	19	22	30	37	50	56



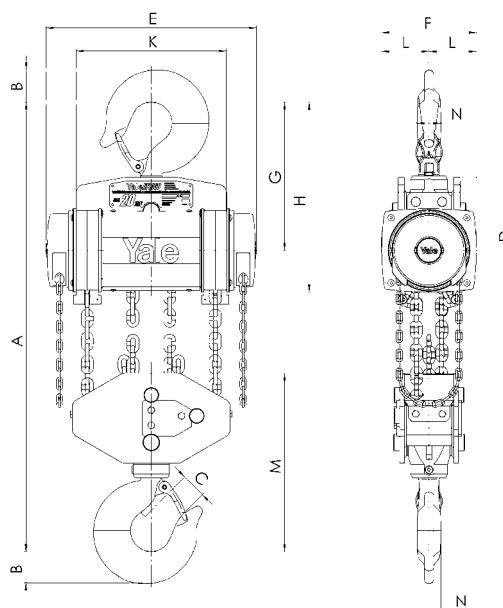
Model Yalelift 360 ATEX, 500 - 3000 kg, single fall



Model Yalelift 360 ATEX, 5000 kg, double fall



Model Yalelift 360 ATEX, 10000 kg, three fall



Model Yalelift 360 ATEX, 20000 kg, six fall





Image shows
HIGH design

Hand chain hoist with integrated push or geared type trolley model Yalelift IT ATEX

Capacity 500 - 20000 kg

The combination of the Yalelift 360 with a low headroom manual trolley provides even more flexibility in the application of the Yalelift 360.

Features

- All units of this series up to a capacity of 3000 kg are provided with single chain fall and the min. headroom (Dim. A) has been further reduced. Ideal for applications with low ceilings and limited headroom.
- The proven and almost stepless adjustment system allows quick and easy assembly of the trolley.
- Trolleys up to 5t are offered for two beam ranges. Range A for a flange width up to 180 mm is standard and covers approx. 80 % of all requirements. Conversion to range B for beam width up to 300 mm can be easily accomplished.
- The trolley wheels (only for MEDIUM and HIGH design) are designed for a max. beam profile incline of 14 % (DIN 1025-1), excellent rolling features are guaranteed by prelubricated, encapsulated ball bearings.
- Anti-drop and anti-tilt devices as standard.
- Explosion protected version with spark resistant coating.
- Trolleys equipped with rubber buffers.
- Copper-coated load hooks for MEDIUM design or higher.
- Stainless steel load chain for HIGH design.

Options

- Adjustable overload protection device
- Chain container
- Beam locking device to secure the unloaded trolley in a fixed position on the beam (park position e.g. on ships).

INFO

Yale hoists and trolleys are not designed for passenger elevation applications and must not be used for this purpose.

Technical data model Yalelift ITP ATEX BASIC with integrated push type trolley II 3 GD c IIB T4 / II 2 GD c IIA T4

Model	EAN-No. 4025092*	Capacity in kg/ number of chain falls	Size ¹	Beam flange width b mm	Beam flange thickness t max. mm	Curve radius min. m	Weight ² kg	Weight ² with locking device kg
YLITP ATEX 500	*237253	500/1	A	50 - 180	19	0.9	20	26
YLITP ATEX 1000	*237864	1000/1	A	50 - 180	19	0.9	27	35
YLITP ATEX 2000	*243131	2000/1	A	58 - 180	19	1.15	44	52

Technical data model Yalelift ITP ATEX MEDIUM with integrated push type trolley II 2 GD c IIB T4

Model	EAN-No. 4025092*	Capacity in kg/ number of chain falls	Size ¹	Beam flange width b mm	Beam flange thickness t max. mm	Curve radius min. m	Weight ² kg	Weight ² with locking device kg
YLITP ATEX 500	*205177	500/1	A	50 - 180	19	0.9	20	26
YLITP ATEX 1000	*205382	1000/1	A	50 - 180	19	0.9	27	35
YLITP ATEX 2000	*206310	2000/1	A	58 - 180	19	1.15	44	52

Technical data model Yalelift ITP ATEX HIGH with integrated push type trolley II 2 GD c IIC T4

Model	EAN-No. 4025092*	Capacity ³ in kg/ number of chain falls	Size ¹	Beam flange width b mm	Beam flange thickness t max. mm	Curve radius min. m	Weight ² kg	Weight ² with locking device kg
YLITP ATEX 500	*257688	500/1	A	50 - 180	19	0.9	20	26
YLITP ATEX 1000	*257787	900/1	A	50 - 180	19	0.9	27	35
YLITP ATEX 2000	*258760	1250/1	A	58 - 180	19	1.15	44	52

¹ Size B on request

² Weight for standard 3 m lift. Other lifting heights available.

³ Models in HIGH design are already labelled with reduced capacities when delivered.

Technical data model Yalelift ITG ATEX BASIC with integrated geared type trolley II 3 GD c IIB T4 / II 2 GD c IIA T4

Model	EAN-No. 4025092*	Capacity in kg/ number of chain falls	Size ¹	Beam flange width b mm	Beam flange thickness t max. mm	Curve radius min. m	Weight ² kg	Weight ² with locking device kg
YLITG ATEX 500	*253055	500/1	A	50 - 180	19	0.9	24	31
YLITG ATEX 1000	*929844	1000/1	A	50 - 180	19	0.9	32	40
YLITG ATEX 2000	*929837	2000/1	A	58 - 180	19	1.15	49	57
YLITG ATEX 3000	*929820	3000/1	A	74 - 180	27	1.5	82	91
YLITG ATEX 5000	*929813	5000/2	A	98 - 180	27	2.0	130	140
YLITG ATEX 10000	*941112	10000/3	B	125 - 310	40	1.8	on request	on request
YLITG ATEX 20000	*941556	20000/6	B	180 - 310	40	5.0	on request	on request

Technical data model Yalelift ITG ATEX MEDIUM with integrated geared type trolley II 2 GD c IIB T4

Model	EAN-No. 4025092*	Capacity in kg/ number of chain falls	Size ¹	Beam flange width b mm	Beam flange thickness t max. mm	Curve radius min. m	Weight ² kg	Weight ² with locking device kg
YLITG ATEX 500	*206334	500/1	A	50 - 180	19	0.9	24	31
YLITG ATEX 1000	*206341	1000/1	A	50 - 180	19	0.9	32	40
YLITG ATEX 2000	*206358	2000/1	A	58 - 180	19	1.15	49	57
YLITG ATEX 3000	*206549	3000/1	A	74 - 180	27	1.5	82	91
YLITG ATEX 5000	*206563	5000/2	A	98 - 180	27	2.0	130	140
YLITG ATEX 10000	*520072	10000/3	B	125 - 310	40	1.8	on request	on request
YLITG ATEX 20000	*419765	20000/6	B	180 - 310	40	5.0	on request	on request

Technical data model Yalelift ITG ATEX HIGH with integrated geared type trolley II 2 GD c IIC T4

Model	EAN-No. 4025092*	Capacity ³ in kg/ number of chain falls	Size ¹	Beam flange width b mm	Beam flange thickness t max. mm	Curve radius min. m	Weight ² kg	Weight ² with locking device kg
YLITG ATEX 500	*273626	500/1	A	50 - 180	19	0.9	24	31
YLITG ATEX 1000	*273633	900/1	A	50 - 180	19	0.9	32	40
YLITG ATEX 2000	*273640	1250/1	A	58 - 180	19	1.15	49	57
YLITG ATEX 3000	*273657	2000/1	A	74 - 180	27	1.5	82	91
YLITG ATEX 5000	*273664	4000/2	A	98 - 180	27	2.0	130	140
YLITG ATEX 10000	*941938	6000/3	B	125 - 310	40	1.8	on request	on request
YLITG ATEX 20000	*941945	12000/6	B	180 - 310	40	5.0	on request	on request

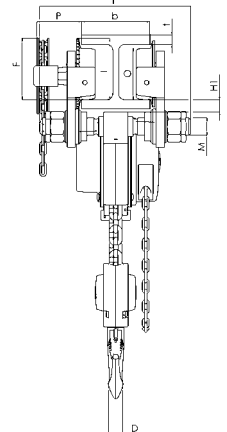
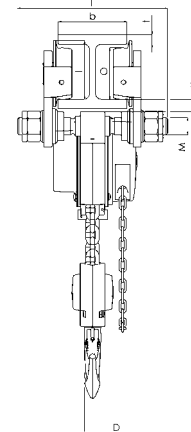
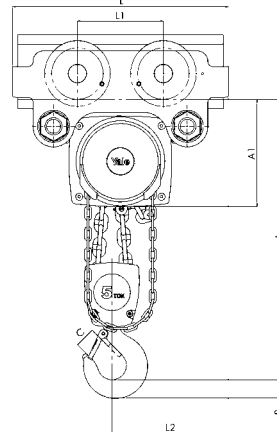
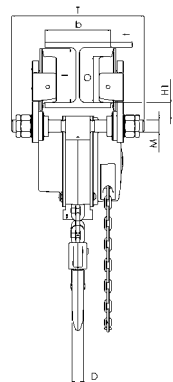
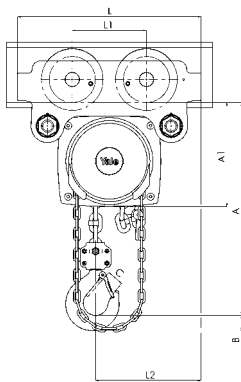
¹ Size B on request

² Weight for standard 3 m lift. Other lifting heights available.

³ Models in HIGH design are already labelled with reduced capacities when delivered.

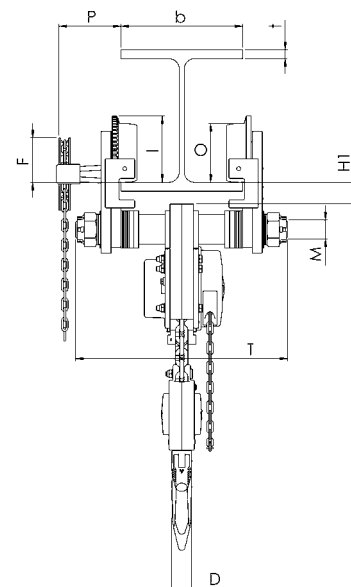
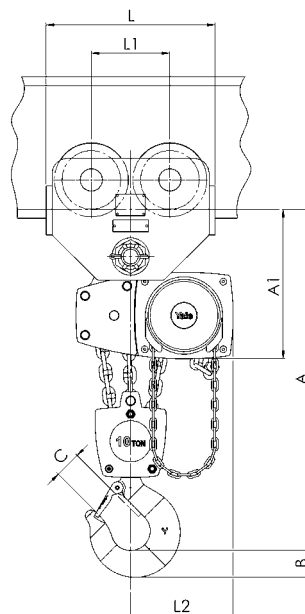
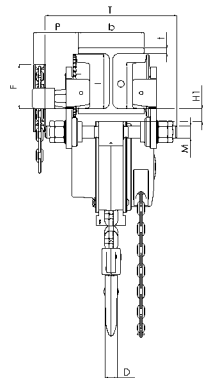
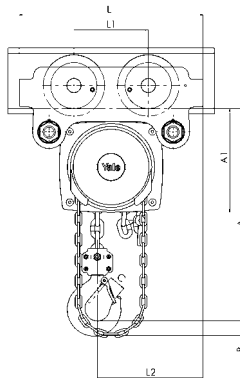
Dimensions model Yalelift IT ATEX

Model	YLIT ATEX 500	YLIT ATEX 1000	YLIT ATEX 2000	YLIT ATEX 3000	YLIT ATEX 5000	YLIT ATEX 10000
A min., mm	245	272	323	382	550	784
A1, mm	158	178	205.5	252	260.5	380
A2, mm	-	-	-	-	-	-
B, mm	17	22	30	38	45	68
C, mm	24	29	35	40	47	68
D, mm	14	19	22	30	37	50
F (Geared trolley), mm	92	92	91	107	149.5	113
H1, mm	24.5	24	23.5	32	30.5	55
I (Push trolley), mm	71.5	71.5	95.5	131	142.5	169
I (Geared trolley), mm	76.5	76.5	98	132.5	148.5	169
L, mm	270	310	360	445	525	430
L1, mm	130	130	150	180	209	200
L2, mm	159	175	207	256	283	261
M, mm	M 18	M 22	M 27	M 30	M 42	M 48
O, mm	60	60	80	112	125	150
P (Geared trolley), mm	108	110	112	112	117	158
T (Area A), mm	280	290	305	320	364	-
T (Area B), mm	400	410	425	440	484	540



Model Yalelift ITP ATEX, 500 - 3000kg, single fall

Model Yalelift ITP/ITG ATEX, 5000kg, double fall



Model Yalelift ITG ATEX, 500 - 3000kg, single fall

Model Yalelift ITG ATEX, 10000kg, three fall



with extremely low headroom

Image shows HIGH design

Hand chain hoist with integrated push or geared type trolley (low headroom) model Yalelift LH ATEX

Capacity 500 - 10000 kg

The hand chain hoist model Yalelift LH with integrated low headroom manual trolley is the consequent further development of the Yalelift IT. Wherever an even smaller headroom is essential, the Yalelift LH is the ideal choice.

Features

- The specially developed chain reeving system and chain guide allow the bottom block to be pulled laterally to the hoist even further up and almost against the beam flange.
- The integrated design of the innovative Yalelift LH uses the same manual trolleys as incorporated in the Yalelift IT series.
- All models of the LH series up to 3000 kg capacity are provided with single chain fall.
- The proven and almost stepless adjustment system allows quick and easy assembly of the trolley.
- The trolleys up to 5 t are offered for two beam ranges. Range A for a flange width up to 180 mm is standard and covers approx. 80 % of all requirements. Conversion to range B for beam width up to 300 mm can be easily accomplished.
- The trolley wheels (only for MEDIUM and HIGH design) are designed for a max. beam profile incline of 14 % (DIN 1025-1), excellent rolling features are guaranteed by prelubricated, encapsulated ball bearings.
- The low headroom version of the Yalelift IT is adjustable to fit a wide range of beam profiles (e. g. INP, IPE, IPB).
- Anti-drop and anti-tilt devices as standard.
- Explosion protected version with spark resistant coating.
- Trolleys equipped with rubber buffers.
- Copper-coated load hooks for MEDIUM design or higher.
- Stainless steel load chain for HIGH design.

Options

- Adjustable overload protection device
- Chain container
- Beam locking device to secure the unloaded trolley in a fixed position on the beam (park position e.g. on ships).

Technical data model Yalelift LHP ATEX BASIC with integrated push type trolley II 3 GD c IIB T4 / II 2 GD c IIA T4

Model	EAN-No. 4025092*	Capacity in kg/ number of chain falls	Size ¹	Beam flange width b mm	Beam flange thickness t max. mm	Curve radius min. m	Weight ² kg	Weight ² with locking device kg
YLLHP ATEX 500	*377522	500/1	A	60 - 180	19	0.9	27	33
YLLHP ATEX 1000	*377539	1000/1	A	70 - 180	19	0.9	35	43
YLLHP ATEX 2000	*377546	2000/1	A	82 - 180	19	1.15	61	69

Technical data model Yalelift LHP ATEX MEDIUM with integrated push type trolley II 2 GD c IIB T4

Model	EAN-No. 4025092*	Capacity in kg/ number of chain falls	Size ¹	Beam flange width b mm	Beam flange thickness t max. mm	Curve radius min. m	Weight ² kg	Weight ² with locking device kg
YLLHP ATEX 500	*592291	500/1	A	60 - 180	19	0.9	27	33
YLLHP ATEX 1000	*592314	1000/1	A	70 - 180	19	0.9	35	43
YLLHP ATEX 2000	*592321	2000/1	A	82 - 180	19	1.15	61	69

Technical data model Yalelift LHP ATEX HIGH with integrated push type trolley II 2 GD c IIC T4

Model	EAN-No. 4025092*	Capacity ³ in kg/ number of chain falls	Size ¹	Beam flange width b mm	Beam flange thickness t max. mm	Curve radius min. m	Weight ² kg	Weight ² with locking device kg
YLLHP ATEX 500	*377799	500/1	A	60 - 180	19	0.9	27	33
YLLHP ATEX 1000	*377829	900/1	A	70 - 180	19	0.9	35	43
YLLHP ATEX 2000	*377836	1250/1	A	82 - 180	19	1.15	61	69

¹ Size B on request

² Weight for standard 3 m lift. Other lifting heights available.

³ Models in HIGH design are already labelled with reduced capacities when delivered.

Technical data model Yalelift LHG ATEX BASIC with integrated geared type trolley II 3 GD c IIB T4 / II 2 GD c IIA T4

Model	EAN-No. 4025092*	Capacity in kg/ number of chain falls	Size ¹	Beam flange width b mm	Beam flange thickness t max. mm	Curve radius min. m	Weight ² kg	Weight ² with locking device kg
YLLHG ATEX 500	*377744	500/1	A	60 - 180	19	0.9	31	38
YLLHG ATEX 1000	*377768	1000/1	A	70 - 180	19	0.9	40	48
YLLHG ATEX 2000	*378697	2000/1	A	82 - 180	19	1.15	65	73
YLLHG ATEX 3000	*377782	3000/1	A	100 - 180	19	1.5	112	121
YLLHG ATEX 5000	*378703	5000/2	A	110 - 180	27	2.0	157	167
YLLHG ATEX 10000	*378727	10000/3	B	190 - 310	40	1.8	232	on request

Technical data model Yalelift LHG ATEX MEDIUM with integrated geared type trolley II 2 GD c IIB T4

Model	EAN-No. 4025092*	Capacity in kg/ number of chain falls	Size ¹	Beam flange width b mm	Beam flange thickness t max. mm	Curve radius min. m	Weight ² kg	Weight ² with locking device kg
YLLHG ATEX 500	*594592	500/1	A	60 - 180	19	0.9	31	38
YLLHG ATEX 1000	*594608	1000/1	A	70 - 180	19	0.9	40	48
YLLHG ATEX 2000	*594615	2000/1	A	82 - 180	19	1.15	65	73
YLLHG ATEX 3000	*594622	3000/1	A	100 - 180	19	1.5	112	121
YLLHG ATEX 5000	*594639	5000/2	A	110 - 180	27	2.0	157	167
YLLHG ATEX 10000	*941549	10000/3	B	190 - 310	40	1.8	232	on request

Technical data model Yalelift LHG ATEX HIGH with integrated geared type trolley II 2 GD c IIC T4

Model	EAN-No. 4025092*	Capacity ³ in kg/ number of chain falls	Size ¹	Beam flange width b mm	Beam flange thickness t max. mm	Curve radius min. m	Weight ² kg	Weight ² with locking device kg
YLLHG ATEX 500	*377843	500/1	A	60 - 180	19	0.9	31	38
YLLHG ATEX 1000	*377867	900/1	A	70 - 180	19	0.9	40	48
YLLHG ATEX 2000	*377874	1250/1	A	82 - 180	19	1.15	65	73
YLLHG ATEX 3000	*377898	2000/1	A	100 - 180	19	1.5	112	121
YLLHG ATEX 5000	*377911	4000/2	A	110 - 180	27	2.0	157	167
YLLHG ATEX 10000	*377928	6000/3	B	190 - 310	40	1.8	232	on request

¹ Size B on request

² Weight for standard 3 m lift. Other lifting heights available.

³ Models in HIGH design are already labelled with reduced capacities when delivered.

INFO

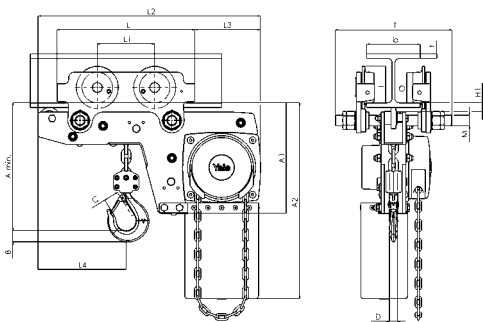
Yale hoists and trolleys are not designed for passenger elevation applications and must not be used for this purpose.

Copper-coated for MEDIUM design or higher!

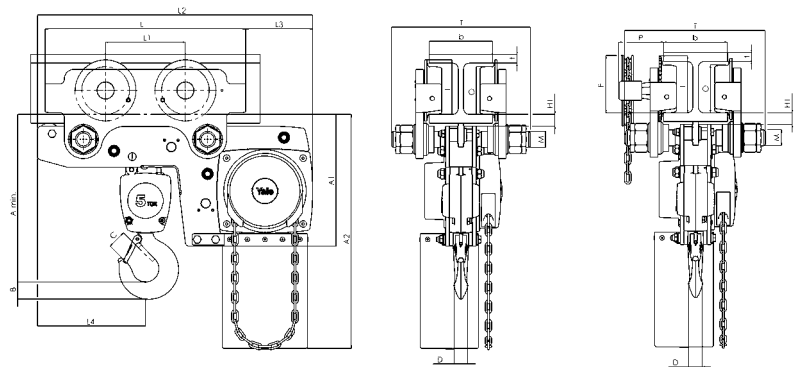


Dimensions model Yalelift LH ATEX

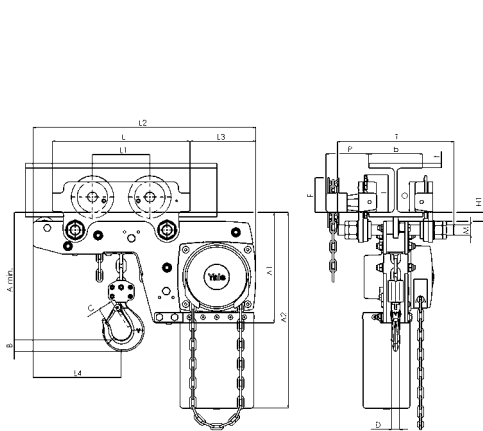
Model	YLLH ATEX 500	YLLH ATEX 1000	YLLH ATEX 2000	YLLH ATEX 3000	YLLH ATEX 5000	YLLH ATEX 10000
A min., mm	188	211	264	316	425	565
A1, mm	223	250	289	346	345	365
A2, mm	381	427	511	614	612	665
B, mm	17	22	30	38	45	68
C, mm	24	29	35	40	47	68
D, mm	14	19	22	30	37	50
F (Geared trolley), mm	92	92	91	107	150	150
H1, mm	24	24	24	32	31	45
I (Push trolley), mm	72	72	96	131	143	170
I (Geared trolley), mm	77	77	98	133	149	170
L, mm	270	310	360	445	525	485
L1, mm	130	130	150	180	209	225
L2, mm	444	488	582	690	720	805
L3, mm	124	135	172	203	175	215
L4, mm	184	201	230	265	283	348
M, mm	M18	M22	M27	M30	M42	M48
O, mm	60	60	80	112	125	150
P (Geared trolley), mm	108	110	112	112	117	165
T (Area A), mm	280	290	305	320	364	440
T (Area B), mm	400	410	425	440	484	540



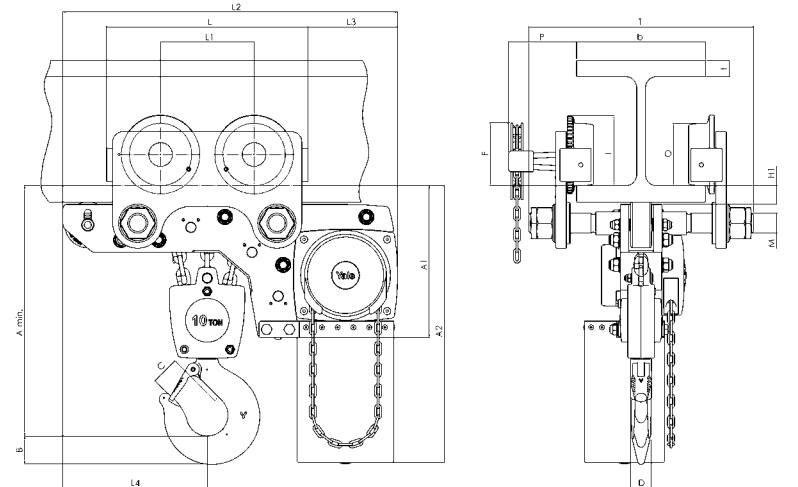
Model Yalelift LHP ATEX, 500 - 3000 kg, single fall



Model Yalelift LHP/LHG ATEX, 5000 kg, double fall



Model Yalelift LHG ATEX, 500 - 3000 kg, single fall



Model Yalelift LHG ATEX, 10000 kg, three fall