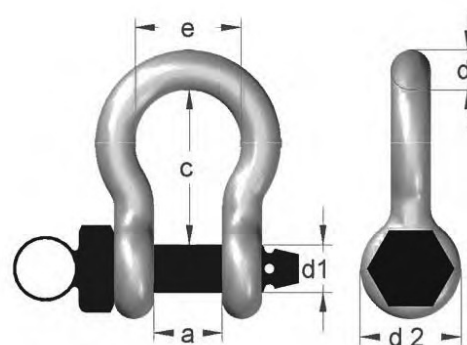


Gunnebo Lifting ROV Shackle no. 860

Threaded bolt with locking pin

Standard:	Dim. according to EN 13889
Material:	High Tensile Steel, Quenched and Tempered
Finish:	All parts hot dip galvanized
Safety factor:	6:1
Documentation:	Test certificate and traceable 3.1 certificate can be supplied
Temperature:	-20 °C to 200 °C

Art. no.	d1	d	a	c	e	WLL (tonnes)	Weight (kgs)
A086025	28	25	43	95	68	8.5	2.5
A086032	35	32	52	100	83	12	4.8
A086038	42	38	60	122	98	17	9
A086045	50	45	74	178	127	25	15
A086052	57	50	83	197	138	35	20
A086064	70	65	106	255	185	55	41

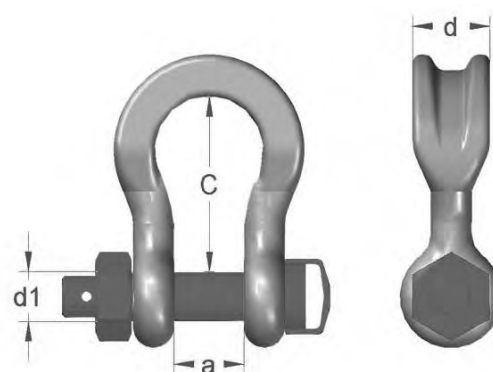


3

Wide Body Sling Shackle no. 859

Safety factor 5:1
Material: High Tensile Steel, Quenched and Tempered

Art. no.	d1	d	a	c	e	WLL (tonnes)	Weight (kgs)
A085935	35	64	52	147	102	18	7
A085940	42	79	69	165	126	30	13
A085945	51	97	84	199	140	40	21
A085955	57	100	90	240	160	55	30
A085970	70	120	105	290	185	75	45
A085985	80	150	130	366	220	125	120

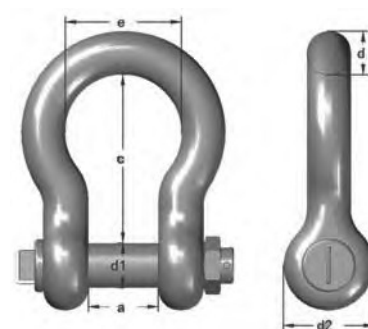


Documentation: Test certificate and traceable 3.1 certificate can be supplied.
Larger dimensions can be supplied on request

Heavy Duty Shackle no. 857

Safety factor 5:1
Material: Grade 8

Art. no.	d1	d	a	c	e	d2	WLL (tonnes)	Weight (kgs)
A857105	108	105	165	400	275	216	150	153
A857120	130	120	175	500	290	242	200	210
A857125	140	125	200	540	305	254	250	285
A857140	150	140	200	600	305	280	300	340
A857170	175	170	225	650	325	330	400	570
A857180	185	180	250	700	350	360	500	630



Documentation: Test certificate and traceable 3.1 certificate can be supplied.
Larger dimensions can be supplied on request