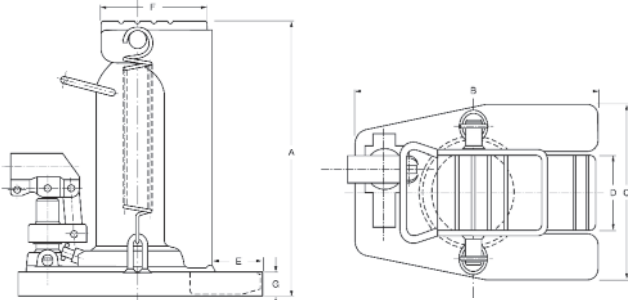


HTJ HYDRAULIC TOE JACKS

Steerman hydraulic toe jacks are ideal when working in very confined spaces. Typical uses include lifting and positioning of heavy machinery, fabricated steel structures, and general engineering applications. These jacks are also ideal for use with a set of Steerman skates.

- Features include:**
- Lifting capacity of 3, 6 or 10 tonne, on the head and toe.
 - Extremely low entry height of the toe.
 - Operating lever rotates through 220°.
 - Carry handle for ease of handling.
 - Chrome plated ram and pump piston.



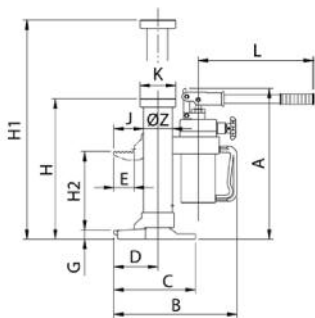
Model	Article number	Claw capacity kg	Head capacity kg	Stroke mm	A mm	B mm	C mm	D mm	E mm	F mm	G mm	Weight kg	Price £
HTJ-3	4300006217	3000	3000	130	230	215	190	88	35	93	16	16.4	£348
HTJ-6	4300006218	6000	6000	152	267	280	190	88	52	120	22	23.2	£428
HTJ-10	4300006219	10000	10000	130	280	295	230	100	60	140	29	38.2	£572

MHS MACHINE LIFTING JACKS

Lifting capacities 5000 - 25000kg

Multi-functional lifting jacks ideal for low-height lifting or working in confined spaces. These jacks can be used vertically or horizontally and the 25000kg model has an adjustable screw for easy handling.

The 5000 and 10000kg models have a 360° rotatable claw making light work of loads. Pump levers can be removed for even better mobility.



Model	Article number	Capacity tonnes	A mm	B mm	C mm	D mm	E mm	G mm	H mm	H1 mm	H2 mm	J mm	K mm	L mm	M mm	N mm	Z dia. mm	Weight kgs	Price £
MHS 50	040014771	5	393	320	213	115	53	25	368	573	205	77	93	520	740	140	76	25	£258
MHS 100	040014772	10	449	325	205	120	55	30	420	650	230	74.5	108	520	745	170	91	35	£391
MHS 250	040014773	25	-	459	420	220	90	58	505	720	215	143	175	920	1305	210	155	109	£1019