



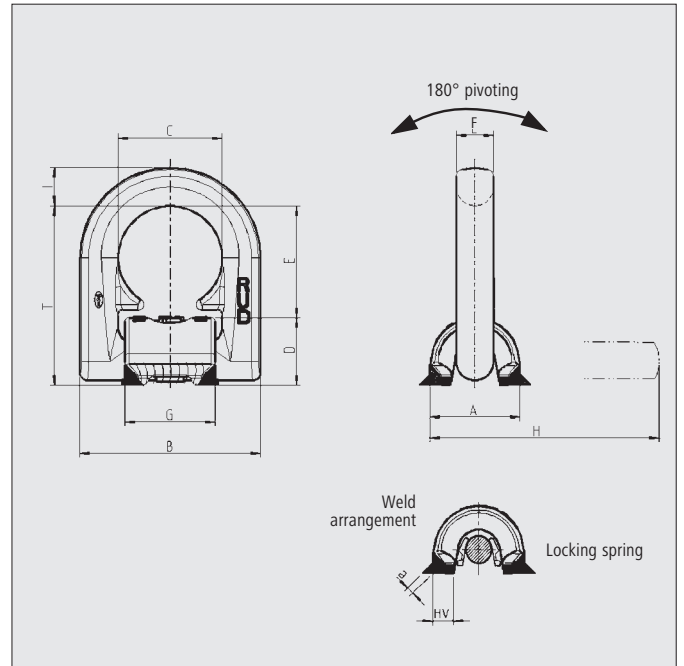
# Lifting Points - for welding - Load Ring - VLBS -



Complies with the machinery directives 2006/42/EG

**4 SAFETY FACTOR 4:1**  
LOADABLE IN ANY DIRECTION

**-20° C**



Type	WLL (t)	A	B	C	D	E	F	G	H	I	T	Weld HV+ Δ	Weight (kg)	Ref.-No. captive complete	Ref.-No. without spring
VLBS 1.5	1.5	33	66	38	25	40	13.5	33	87	14	65	HV 5 + 3	0.35	79 93 035	79 93 115
VLBS 2.5	2.5	36	77	45	27	48	13.5	40	97	16	75	HV 7 + 3	0.5	79 94 830	79 95 346
VLBS 4	4	42	87	51	31	52	16.5	46	112	18	83	HV 8 + 3	0.8	79 93 036	79 93 116
VLBS 6.7	6.7	61	115	67	44	73	22.5	60	157	24	117	HV 12 + 4	1.9	79 93 037	79 93 117
VLBS 10	10	75	129	67	55	71	26.5	60	173	27	126	HV 16 + 4	2.9	79 93 040	79 93 118
VLBS 16	16	95	190	100	69	105	26	90	243	40	174	HV 25 + 6	6.8	--	79 93 041

- The VLBS forged out of high tensile CrNiMo - steel with an innovative design offers many advantages.
  - up to 50 % higher WLL.
  - the two protective supporting lugs (inside the load ring) are patented and they improve the connection with the attachment in addition they protect the clamping spring.
  - The support effect is exceptional, especially if the ring is side loaded or the lifting point is welded on an uneven work piece.
  - Pink powder coating, a VIP recognition attribute and a heat indicator (refer to page 15).
- Easy and quick to weld assembly.
- Compact and shapely design.
- High dynamic and static strength.
- Forged suspension ring acc. to EN 1677, grade 80, electromagnetic crack detected, pink powder coated; meets the requirements of the appropriate safety authorities.
- The welding block has been forged of material 1.0570 (St 52-3) and clearly stamped with the permissible WLL. The patented distance lugs assist in achieving the correct root weld.
- Important: By the special weld design (continuous HV), the requirements of DIN 18800 are fulfilled, i.e., a closed weld avoids corrosion and thus suitable for outdoor use.

- **Distinctive features for type LBS-U:** A protected spring maintains the load ring in every required position. The parts are assembled in such a way that they remain captive.
- The spring reduces vibration induced noise.



Subject to technical alternations!