

RH/WH/WHL/WHP HORIZONTAL PLATE CLAMPS

SOLD IN PAIRS

Horizontal plate clamps

Working load limit (WLL) 1500 - 5000kg

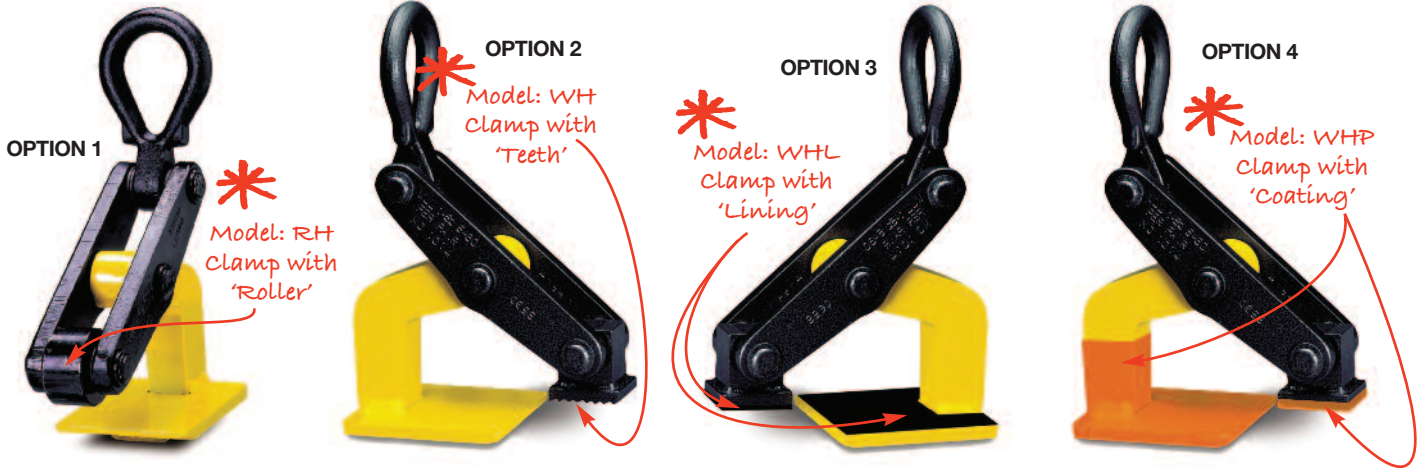
This range of horizontal plate clamps has been designed, to be used in pairs, for the horizontal transporting of individual and bundled plate. Whilst the basic design and function is the same, there are four options available.

OPTION 1 - RH. This range is fitted with a steel roller for reduced marking of the plates.

OPTION 2 - WH. The jaw on this range has hardened steel teeth for applications where the marking of plates is not an issue.

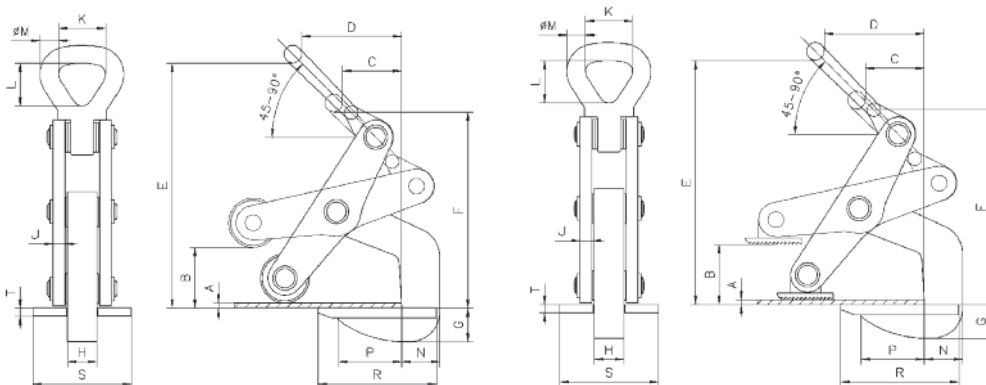
OPTION 3 - WHL. With a protective plastic lining on the jaw and the toe plate, this range totally eliminates any risk of marking.

OPTION 4 - WHP. With a protective polyurethane coating completely encasing the jaw and the toe plate.



| | Model | WLL (per pair) kg* | Jaw capacity mm | A mm | B mm | C mm | D mm | E mm | F mm | G mm | H mm | J mm | K mm | L mm | M mm | N mm | P mm | R mm | S mm | T mm | Weight (per pair) kg** | Price (per pair) £* |
|----------------|---------|--------------------|-----------------|------|------|------|------|------|------|------|------|------|------|------|------|------|------|------|------|------|------------------------|---------------------|
| ROLLER | RH1500 | 1500 | 5 - 60 | 5 | 60 | 60 | 105 | 250 | 200 | 22 | 30 | 12 | 50 | 73 | 18 | 36 | 65 | 120 | 100 | 10 | 12 | £222 |
| | RH2500 | 2500 | 10 - 70 | 10 | 70 | 75 | 130 | 135 | 275 | 38 | 30 | 12 | 64 | 92 | 25 | 58 | 77 | 150 | 100 | 10 | 21 | £282 |
| | RH3500 | 3500 | 10 - 80 | 10 | 80 | 90 | 162 | 345 | 292 | 48 | 30 | 15 | 64 | 92 | 25 | 65 | 105 | 185 | 100 | 10 | 28 | £346 |
| | RH5000 | 5000 | 10 - 102 | 10 | 102 | 110 | 170 | 425 | 345 | 45 | 45 | 20 | 89 | 130 | 35 | 80 | 120 | 210 | 120 | 12 | 72 | £511 |
| TEETH | WH1500 | 1500 | 5 - 60 | 5 | 60 | 60 | 105 | 250 | 200 | 22 | 30 | 12 | 50 | 73 | 18 | 36 | 65 | 120 | 100 | 10 | 12 | £234 |
| | WH2500 | 2500 | 10 - 70 | 10 | 70 | 75 | 130 | 135 | 275 | 38 | 30 | 12 | 64 | 92 | 25 | 58 | 77 | 150 | 100 | 10 | 21 | £296 |
| | WH3500 | 3500 | 10 - 80 | 10 | 80 | 90 | 162 | 345 | 292 | 48 | 30 | 15 | 64 | 92 | 25 | 65 | 105 | 185 | 100 | 10 | 28 | £363 |
| | WH5000 | 5000 | 10 - 102 | 10 | 102 | 110 | 170 | 425 | 345 | 45 | 45 | 20 | 89 | 130 | 35 | 80 | 120 | 210 | 120 | 12 | 72 | £551 |
| LINING | WHL1500 | 1500 | 5 - 55 | 5 | 55 | 60 | 105 | 256 | 209 | 31 | 30 | 12 | 50 | 73 | 18 | 36 | 65 | 120 | 100 | 13 | 12 | £256 |
| | WHL2500 | 2500 | 10 - 65 | 10 | 65 | 75 | 130 | 324 | 273 | 45 | 30 | 12 | 64 | 29 | 25 | 58 | 77 | 150 | 100 | 13 | 21 | £327 |
| | WHL3500 | 3500 | 10 - 75 | 10 | 75 | 90 | 162 | 345 | 291 | 55 | 30 | 15 | 64 | 92 | 25 | 65 | 105 | 185 | 100 | 13 | 28 | £399 |
| | WHL5000 | 5000 | 10 - 97 | 10 | 97 | 110 | 170 | 429 | 345 | 55 | 45 | 20 | 89 | 130 | 35 | 80 | 120 | 210 | 120 | 15 | 72 | £567 |
| COATING | WHP1500 | 1500 | 5 - 57 | 5 | 57 | 60 | 105 | 256 | 209 | 31 | 36 | 12 | 50 | 73 | 18 | 39 | 68 | 126 | 100 | 13 | 12 | £347 |
| | WHP2500 | 2500 | 10 - 67 | 10 | 67 | 75 | 130 | 324 | 273 | 45 | 36 | 12 | 64 | 92 | 25 | 61 | 80 | 156 | 100 | 13 | 21 | £414 |
| | WHP3500 | 3500 | 10 - 77 | 10 | 77 | 90 | 162 | 345 | 291 | 55 | 36 | 15 | 64 | 92 | 25 | 68 | 108 | 191 | 100 | 13 | 28 | £483 |
| | WHP5000 | 5000 | 10 - 100 | 10 | 97 | 110 | 170 | 429 | 345 | 55 | 51 | 20 | 89 | 130 | 35 | 83 | 123 | 216 | 120 | 15 | 72 | £604 |

*Per pair. **Weight per pair of clamps without chains.



WH Horizontal plate clamps. Working load limit 1500 - 5000kg*